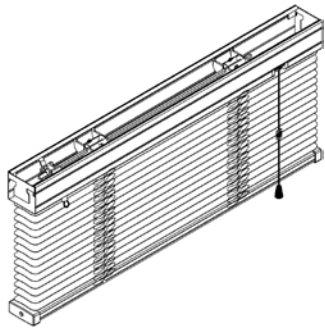


# 2" Corded Aluminum Blind Installation and Care Instruction

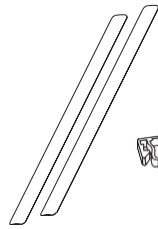
**1. Identify your aluminum blind and parts** (your parts may vary, depending on the custom request & size of the blind you are purchasing.)



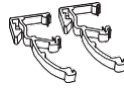
Aluminum Blind



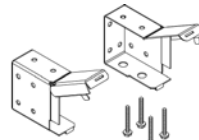
Wand



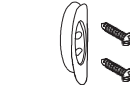
Valances



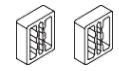
Valance clips



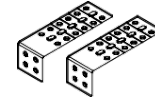
Box brackets & screws



Cord cleat & screws



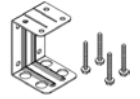
Spacers (optional)



Extension brackets (optional)



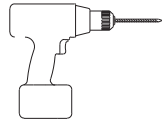
Hold down brackets & screws (optional)



Center support & screws (for the blind wider than 36" W)

## 2. Tools you may need (not included)

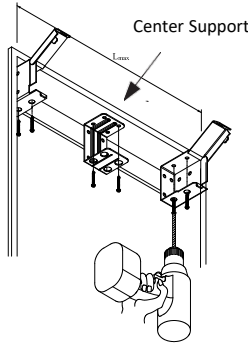
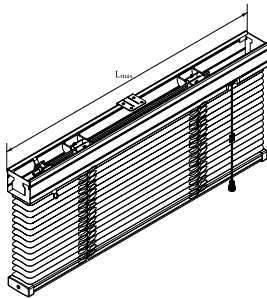
- Drill with bits
- Screwdriver
- Metal tape measure
- Pen



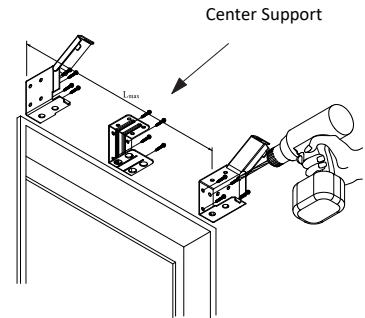
Blind Width	Center Support Quantity
< 36"	0
36" ~ 71.9"	1
72" ~ 107.9"	2
108" ~ 142"	3

## 3. Mount the blind with the box brackets

- Mount the box brackets at the ends of the headrail. Use 2 screws per box bracket.
- One center support is applied when the blind is wider than 36" W. Please refer the center support quantity on the chart above.



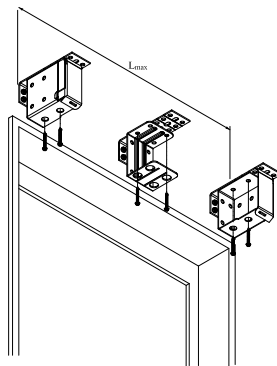
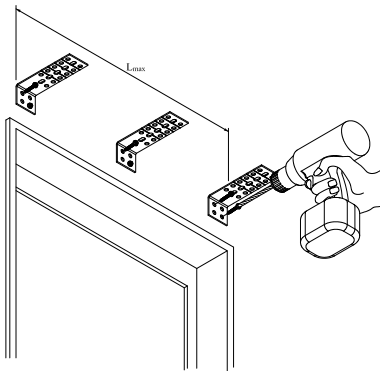
Inside Mount



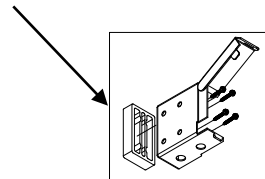
Outside Mount

- Install the blind with the extension brackets (optional)
  - Install the extension bracket with at least 2 screws.
  - Attach the box brackets (and the center support) to the extension brackets with the screws.

- The spacer is optional and is installed behind the box bracket (and the center support) when needed.



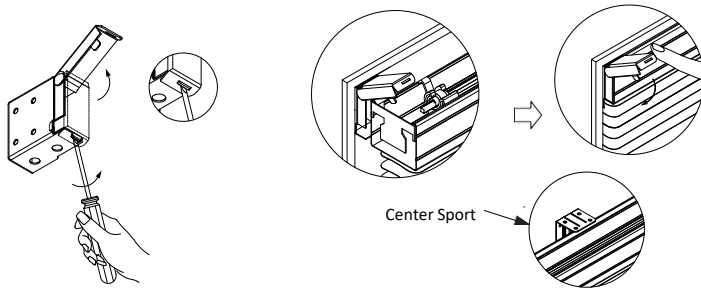
Spacers



Optional - Add the spacer behind the box bracket if needed.

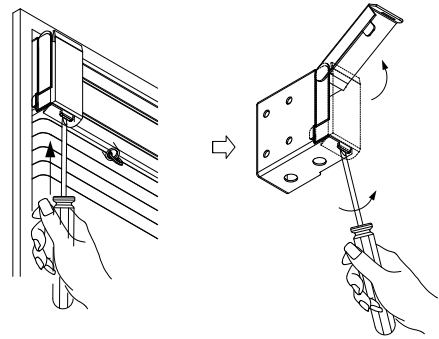
#### 4. Mount the blind

- Unlock the box brackets with a flat head screwdriver.
- Mount the blind in the brackets (use the center support when the blind is wider than 48"W)
- Close the door on the bracket and hear a "click".



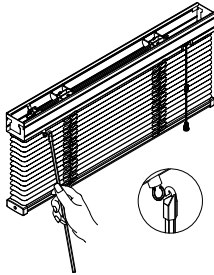
#### 5B. To remove the blind from the box brackets

- Use a flat head screwdriver to open the door of the box bracket.
- Remove the blind.



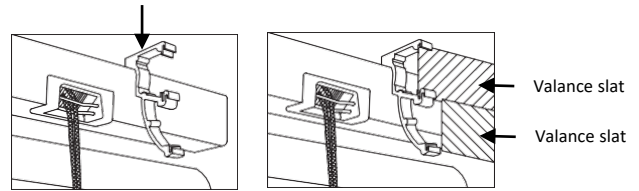
#### 6. Attach the tilt wand

- Attach the tilt wand onto the wand hook located on the headrail.



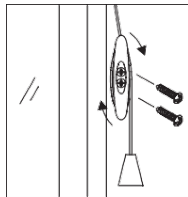
#### 7. Install the valances

- Push the valance clip down onto the headrail until you hear it "clicks" into place.
- Slide the valance slats through the track of the valance clip.



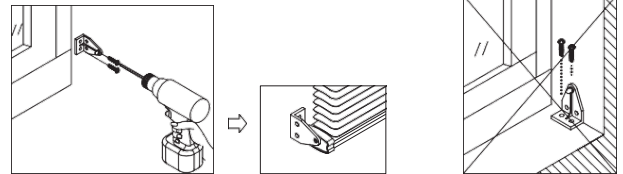
#### 8. Install the cord cleat

- Use 2 included screws and install the cord cleat at your desired height. For safety reasons, keep the cord being unreached by child and pet.
- Always wrap the cord around the cord cleat to keep your cord tight.



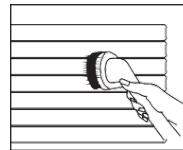
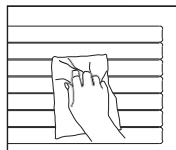
#### 9. Attach the optional hold down brackets

- Install the hold down brackets to the wall (for outside mount) or the jamb of the window frame (for inside mount), not on the sill of the window frame.
- Tighten the screws.



#### 9. Care and cleaning

- Wipe the blind periodically with a soft dust cloth or dusting mitt, or vacuum with a soft brush attachment.
- You may clean the blinds using a non-scratched sponge or dampened soft cloth with a mild nonabrasive detergent. Never use hot water, solvents, harsh or abrasive cleansers to clean the blinds.
- Note: The warranty for your blinds does not cover damage caused by improper cleaning.



#### To Operate Your Blind

Important: Always tilt the slats horizontally before raising or lowering the blind. This step increases the life of the blind.

#### To Lower Your Blind

Move the cord to left pulling down gently until the cord lock releases. Allow the cord to slip slowly until the blind reaches your desired level. Pull the cord to the right and then release. The blind locks automatically.

#### To Raise Your Blind

Pull the cord downward until the blind reaches desired height and then slightly to the right to release the cord. The blind locks automatically.

#### To Tilt Your Blind

Rotate the wand to attain desired slat position.

#### Important Note

**ALWAYS TIE THE CORD TO CORD CLEAT FOR SAFETY REASONS.**

