

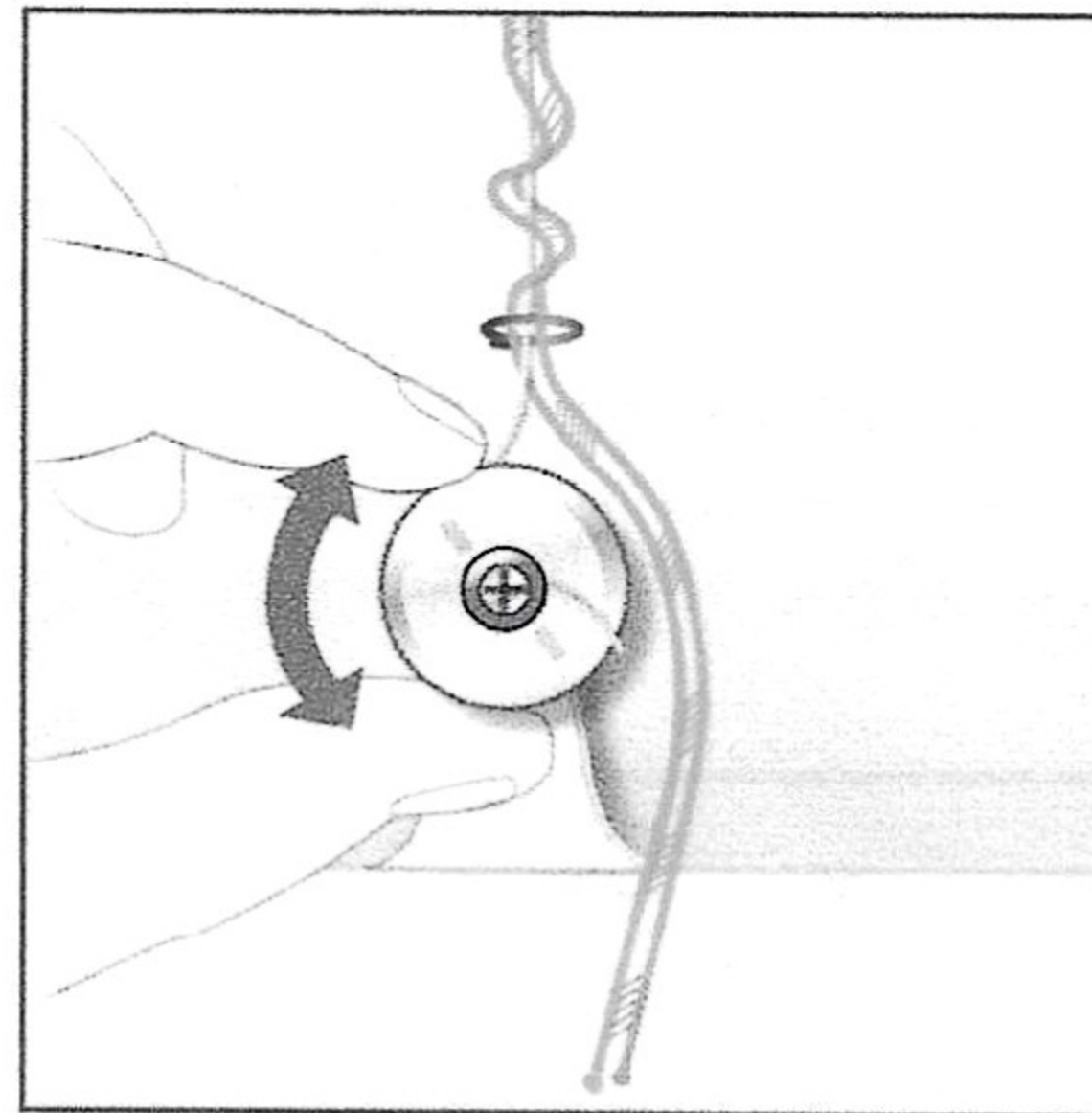
Cordless Roman Shade Troubleshooting

Adjust Shade Height

Shade height can be adjusted by using the cord anchor on the back of the shade.

Adjusting the shade height can be used to correct shades that hang unevenly.

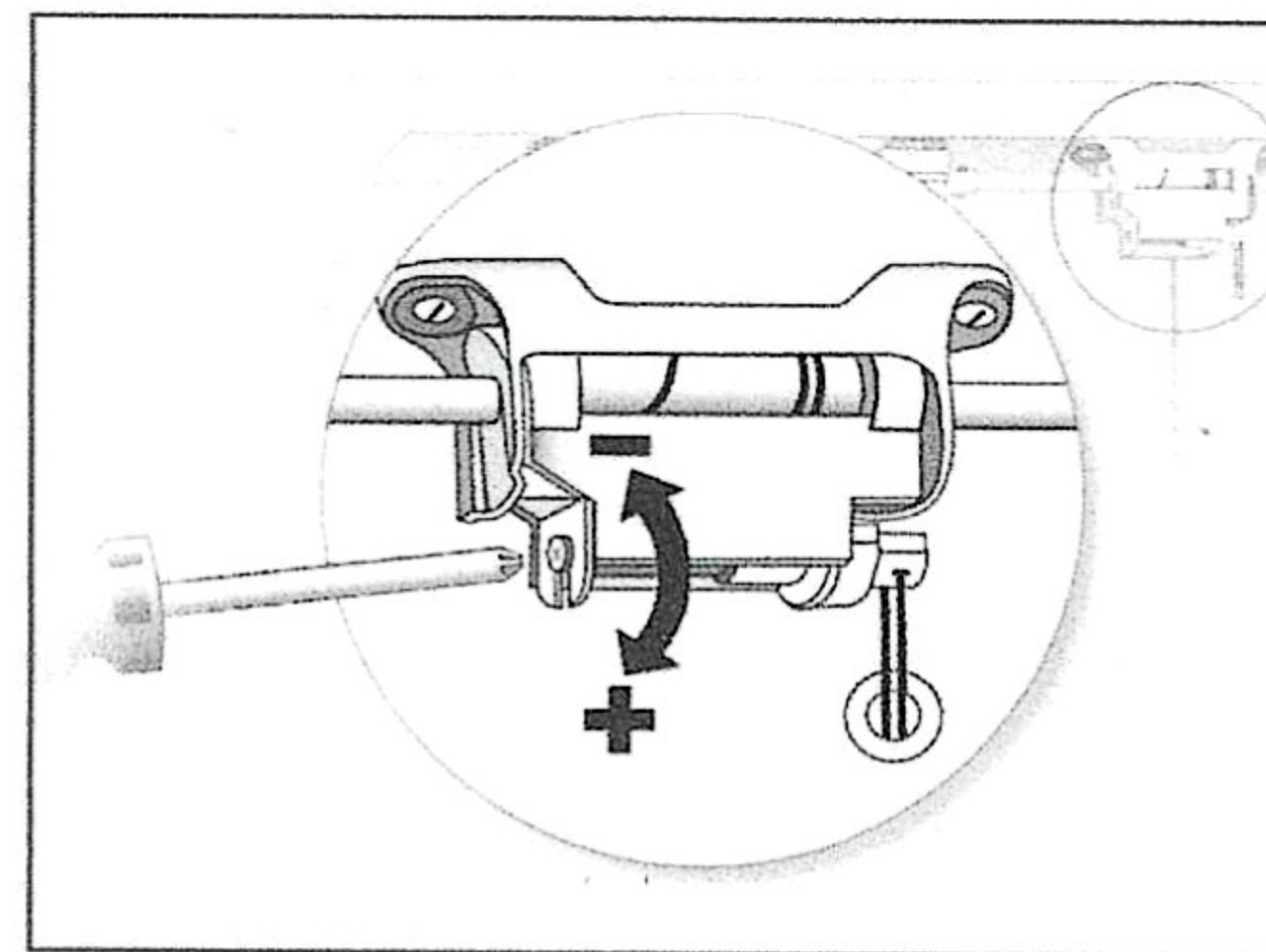
To adjust, start by fully lowering the shade. Then, turn the dial on the cord anchor to adjust the lift cords until the shade hangs evenly. The dials on the cord anchors can be turned to add or remove length from the lift cords. Keep in mind that each lift cord has about an inch of extra length.



Adjust Shade Tension

Adjusting your shade's tension creates the effect of adding weight to the shade. If your shade will not stay lowered, adding tension will create the effect of adding weight to the shade.

To add tension to the shade, access the cordless mechanism on the head rail of your shade. Using a small Phillips-head screwdriver, turn the screw on the cordless mechanism's spools in a clockwise rotation to add tension.



Adding Weight to Bottom Bar

If the shade continues to bounce back after adjusting the shade tension, weight can be added to the bottom bar to hold the shade in place.

Small weighted bars can be inserted into the bottom bar by removing the bottom bar end cap. Only add weight to the shade in small increments.

If a weight bar is required, contact us to request one be sent to you.

