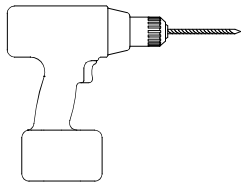
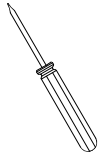


Verti-Sheer Shade Installation Instruction - Standard Stack

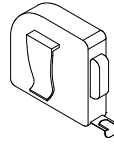
1. Tools you may need. (not included)



Drill



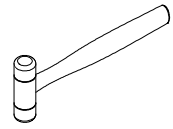
Screwdriver



Metal Measuring
Tape



Pencil

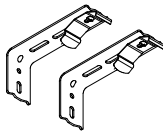


Rubber Mallet

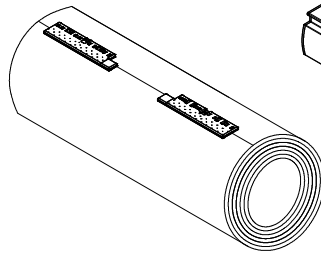
2. Check all the parts and read instruction before installation.



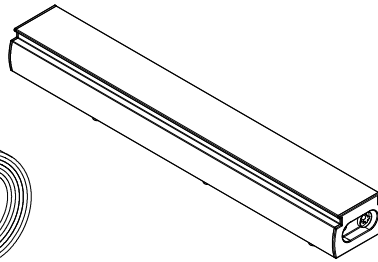
Screws



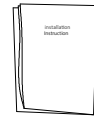
Brackets



Fabric Roll



Headrail



Installation Instruction

3. Install the brackets.

Option 1. Mount the shade with L-shape brackets for inside or outside mount.

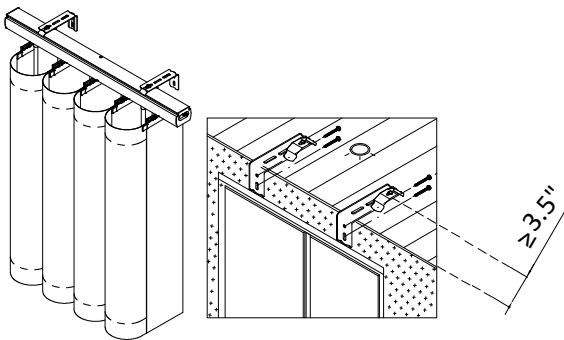
Option 2. Mount the shade without L-shape brackets for the ceiling mount.

Measure and mark the locations of brackets with a pen. Install the brackets with screws. Fasten the screws tightly.

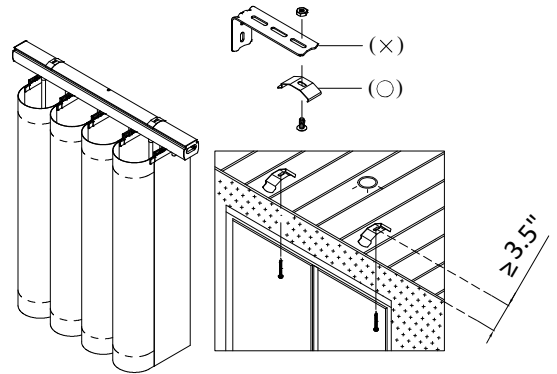
NOTES

- make sure the brackets are aligned to each other.

- the distance between wall/ window frame and small bracket is larger than 3.5" to avoid the fabric panel stuck by the window when operating the shade.



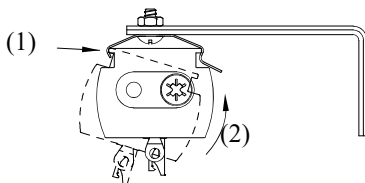
Mount the shade with L-shape brackets



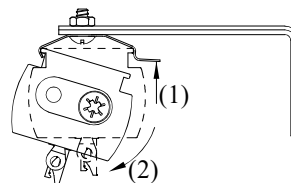
Mount the shade without L-shape brackets

The small bracket should be at least 3.5" away from the wall/ window frame.

4. Hook the front of the headrail to the front of the brackets. Push the headrail back up and snip to lock.

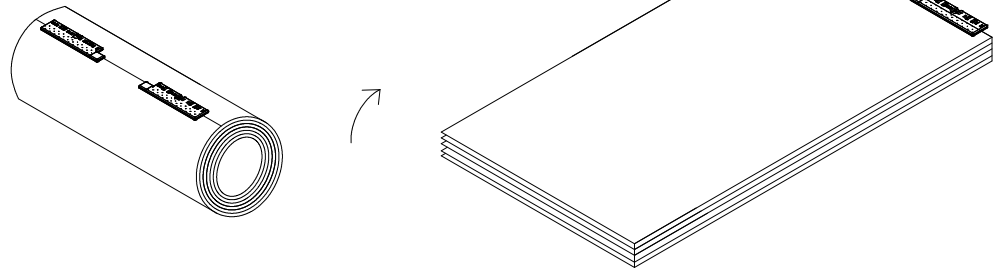


Attach the headrail to the bracket



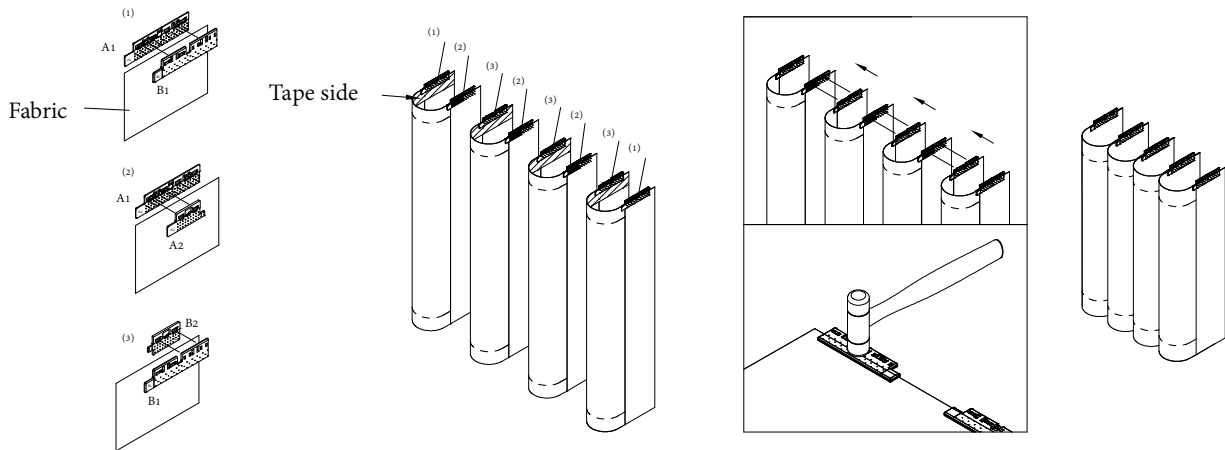
Remove the headrail from the headrail

5. Find a dry and clean surface to unroll the fabric roll.

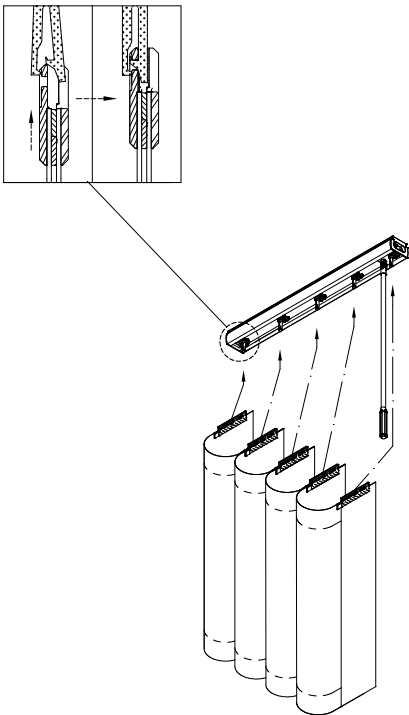


6. Organize the fabric panels

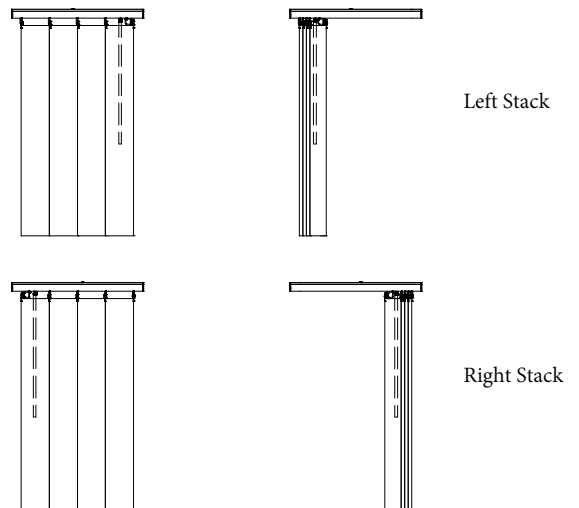
- Place each fabric panel with the tape face up
- Gently fold each panel individual. Avoid creating wrinkles at the tape area.
- Check the clip identifiers, such as A1, A2, B1, and B2.
- Make sure the first and last panels have clips A1 & B1.
- Snap the clips between each panel to connect all the panels.
- Tap the rubber mallet to the clips lightly to secure the clips when needed.



7. Push up the the clips into the carrier to hang on the shade under the headrail.



8. Slide the wand to open and close the shades. Twist the wand to control the light.



Product Care

- Wrinkles and creases may occur. It is natural for this product after transportation, installation or cleaning.
- To reduce the wrinkles, please hang it for several days to help minimizes the wrinkles.
- You may choose to steam or iron the fabric vanes.
- Spot clean. Do not recommend to laundry the fabrics panels.