

## “JUST IN CASE” instructions

### ■ PAIRING SHADE TO THE REMOTE

1. For a multi-channel remote , select channel first ( Do not select Channel 0 ).
2. **Press & hold** the **Setting Button** ( Figure 2 ) on the shade motor end until the shade jogs once; let go and you'll hear a long beep.
3. Quickly press the **UP** button , shade will jog once and beep 3 times.

**Note:**Once motor jogs, you must press **UP** within 20 seconds.

### ■ UN-PAIRING SHADE FROM THE REMOTE / CHANNEL

Follow "PAIRING THE SHADE. steps, but press the DOWN button instead.

### ■ REVERSING THE ROLL DIRECTION

If for some reason shade direction is reversed , **Press & hold the Setting Button** ( figure 2 ) on the shade motor end until the shade jogs 2 times .

### ■ REORGANIZING SHADES ON MULTI-CHANNEL REMOTE

Remember that the programming ( stop limits ) for each shade is saved in the shademotor . not the remote , So whatever changes you want can be accomplished.

- Moving a shade from one channel to another ( see below )

Contact Customer Service for assistance / instructions on:

- Moving a group of shades from one channel to another
- Copying programming from one remote to another

## INSTALLATION AND DEBUGGING

### ■ MOVING A SHADE FROM ONE CHANNEL TO ANOTHER

The simplest way to move a shade ( and its stop limits ) from one channel to another is by un-pairing and pairing the shade to the remote.

**Example :Left and right shades in dining room are on separate channels , but you want them to move together .**

Channel 1:LEFT shade	Channel 2:RIGHT shade
----------------------	-----------------------

- 1 . Select channel 2 and un-pair the right shade .
- 2 . Then select channel 1 and pair the right shade to this channel.

Channel 1:LEFT <b>and RIGHT shades</b>	Channel 2:RIGHT shade
--	-----------------------

Now both the left and right dining room shades are on the same channel ( channel 1 ) and will move together .

## USER MANUAL REMOTE CONTROL SHADES

PLEASE KEEP THIS MANUAL AFTER YOUR SHADES ARE INSTALLED AND OPERATING CORRECTLY. IT CONTAINS IMPORTANT INFORMATION WHICH MAY BE USEFUL. IF YOUR SHADES NEED TO BE RE-PROGRAMMED IN THE FUTURE.

### ■ INTRODUCTION

Thank you for your purchase of motorized shades . With careful use , your shades will give you many years of trouble-free operation. Please read the following instructions to familiarize yourself with the operation and maintenance of your shades.

# INSTALLATION AND DEBUGGING

## ■ CHARGING THE MOTOR BATTERY

The shade battery is inside the motor, encased in the shade tube.

Ensure that the battery is fully charged before installing the shade.

- Insert the charging cord ( Figure 1 ) into the charging port on the end of the motor tube( Figure 2 ) , and plug the other end of the power adaptor into an outlet.
- When the LED on the power adaptor changes from red to green , the motor is fully charged.

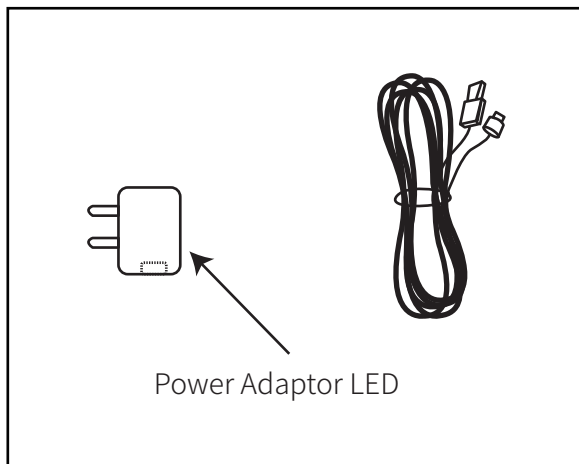


Figure 1: Charging cord

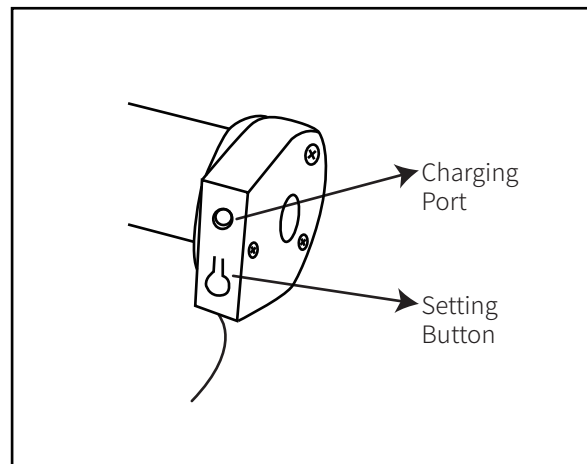


Figure 2: Motor end

If the motor battery needs to be charged , it will beep 10 times when you press any button on the remote control.

## ■ PREPARING THE REMOTE CONTROL

Remove the panel on the back of the remote and pull out the insulating paper tab used to protect it during shipment / storage ( Figure 3 ).

When you press a button on the remote , you will see blue LED back-light in between the buttons.

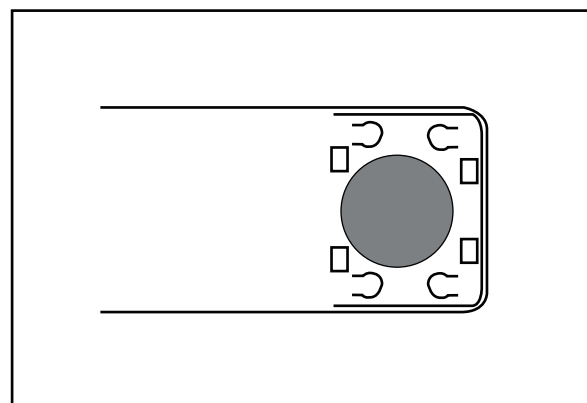


Figure 3 : Remote with battery cover removed

# INSTALLATION AND DEBUGGING

## ■ SINGLE-CHANNEL REMOTE

- Press ( and release ) the Up or Down button and the shade will go to the upper or lower stop limit set by the factor.
- Press ( and release ) the Stop button at any time while the shade is raising or lowering to stop it at that point.

## ■ MULTI-CHANNEL REMOTE

Multi-channel remotes are used to control several shades independently with just one remote .

- The remote has 15 channels that can be programmed .
- A single shade or a group of shades has been preprogrammed to operate on a specific channel , as specified on the order.
- Channel 0 is always the group channel ; it will operate all shades at once . It cannot be programmed.
- Press the “<” or “>” button to select the correct channel , and then operate the shade (s) on that channel with the Up , Down and Stop buttons.

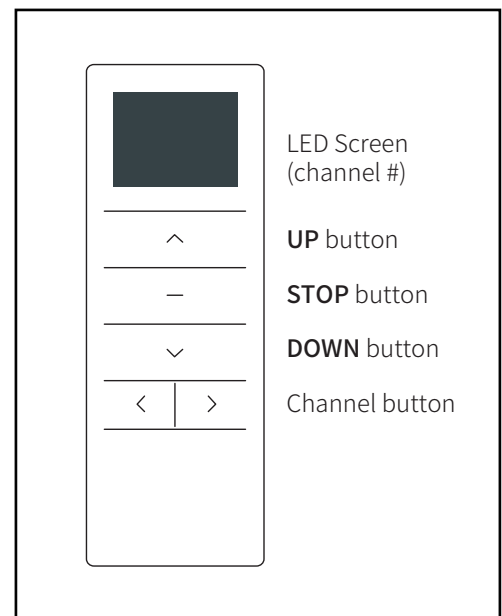


Figure 4: Multi-channel remote

## ■ CHANGING THE REMOTE BATTERY

If the blue LED backlight between the remote buttons doesn't show when you press Up , Down or Stop, it is time to replace the battery.

- The remote should operate your shades from a distance of up to 100 feet , but low remote battery power can shorten this distance.
- Sometimes there is enough power to display a channel number on the LED screen of a multi-channel remote , but still not enough to signal the motor and operate the shade.

The remote control uses a CR2450 battery . available at most hardware or general stores .

# INSTALLATION AND DEBUGGING

---

## ■ **SETTING MIDDLE STOP LIMIT**

This motor also has a middle stop position capability . Setting this limit is left to the customer ; it's not pre-programmed at the factory.

TO SET OR CHANGE THE **MIDDLE STOP** LIMIT.

1. Move the shade to the desired middle stop limit.
2. **Press hold STOP** button for 5 seconds until the motor jogs once and beeps once.

**A “jog” is a quick, small up-and-down movement.**

3. To confirm that you've set this limit , move the shade to another position. Then while shade is not moving . press the STOP button and it should move to the middle limit.

## ■ **CHANGING UPPER AND LOWER STOP LIMITS**

Your shade has been pre-programmed at the factory with stop limits , but you may need to adjust them after installation .

**NOTE : When the motor is in " program mode " it will only move in small steps . To move the shade more quickly, **press & hold** the UP or DOWN button until the shade continues moving.**

TO CHANGE THE **UPPER STOP** LIMIT :

- 1 . **Press UP** to move the shade to the current pre-set upper stop limit.
- 2 . **Press hold UP & STOP** buttons together until the motor jogs once , then beeps 2 times . **A “jog” is a quick, small up-and-down movement.**
- 3 . Move the shade to the desired upper stop limit.
- 4 . **Press hold UP & STOP** buttons together until the motor jogs 2 times and beeps once.

## INSTALLATION AND DEBUGGING

---

TO CHANGE THE **LOWER STOP** LIMIT:

- 1 . **Press DOWN** to move the shade to the current pre-set lower stop limit.
- 2 . **Press & hold DOWN & STOP** together until the motor jogs once , then beeps 2 times.
- 3 . Move the shade to the desired lower stop limit.
- 4 . **Press hold DOWN & STOP** buttons together until the motor jogs 2 times and beeps.

*NOTE : There is a longer pause between the 2nd and 3rd jogs.*

### ■ **RESETTING THE SHADE MOTOR**

If you need to remove all shade stop limits and start over , follow these steps:

- 1 . **Press hold** the **Setting Button** ( Figure 2 ) on the shade motor end until the shade jogs 3 times then beeps 3 times . This removes all programming.

**NOTE : There is a longer pause between the 2nd and 3rd jogs.**

- 2 . Pair the shade to the motor ( directions on next page )
- 3 . Set upper and lower limits :

**NOTE : Motor is in “program mode ” and will only move in small steps . To move the shade more quickly, **press & hold** the UP or DOWN button until the shade continues moving.**

- To set the upper limit , move shade to the desired upper stop position.
- **Press & hold UP & STOP** buttons together until the motor jogs 2 times and beeps once. **You’ ve now set the upper limit.**
- To set the lower limit , move shade to the desired lower stop position
- **Press & hold DOWN & STOP** buttons together until the motor jogs 2 times and beeps once . **You’ ve now set the lower limit.**

- 4 . If desired , follow instructions for “Setting Middle Stop Limit.”